



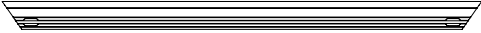



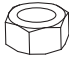


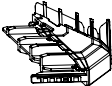
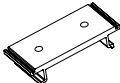
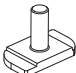
FLAT TRAY FITTING INSTRUCTIONS

Revision 5, April 2020

Read this full instruction manual prior to commencing assembly and fitment of Titan Flat Tray.

CONTENTS

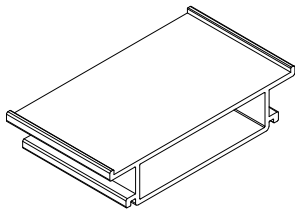
Check your kit contains all the parts listed for your tray size

			TFT1212	TFT1512	TFT1812	TFT2014
A		Inner Planks	4	4	4	5
B		Front/Rear Planks	2	2	2	2
C		Side Planks	2	2	2	2
D		U Nuts	16	16	16	20
E		M6 Screws	16	16	16	20
F		M6x12.5 Washers	16	16	16	20
G		M8 Nuts	4	4	6	6
H		M8x17 Washers	4	4	6	6
I		M8 Spring Washers	4	4	6	6
J		Corner Pieces	4	4	4	4
K		Mounting Blocks	4	4	6	6
L		Drop-&-Turn Bolts	4	4	6	6

ADDITIONAL TITAN FLAT TRAY MOUNTING HARDWARE

Sold Separately

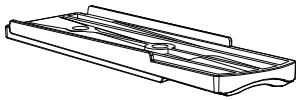
The following parts can be purchased separately to fit the tray to a wide range of vehicles.



Interconnecting Block*
(single)
25-0312

Interconnecting blocks are used to increase tray rigidity.

This forms part of the Low Mount fitment to increase the rigidity of the tray without the support of the full length cross bars.

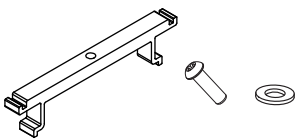


Curvature Adaptor*
(2 pack)
25-0313

Are your cross bars curved?

Curvature adaptors are designed to be used with curved cross bars to create a flat platform to mount the tray.

Requires 2 x 25-0313 for a 2 bar installation



Side Support*
(4 pack)
25-0311

Are your cross bars narrow?

You can locate the mounting blocks inboard of the first plank with the use of the side supports (see steps 10 and 11).

See page 3 to determine if you need a side support kit.

*All additional parts are sold separately.

STAGE 1

TRAY CONFIGURATION

i The Titan Flat Tray is designed to be highly versatile. Check if you need curvature adaptors or a side support kit to fit the Titan Flat Tray to your vehicle by following steps 1 and 2 below.

1 Are your crossbars curved?

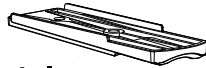


Curved Crossbar



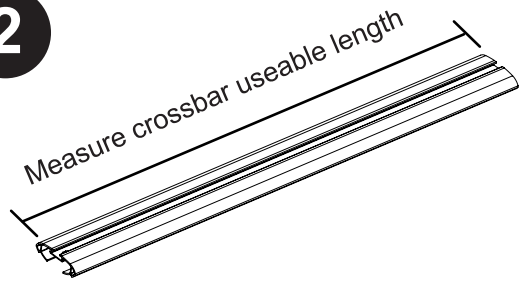
Flat Crossbar

The Titan Flat Tray can be mounted to curved crossbars with curvature adaptors. Refer to step 14 for installation



Part number 25-0313 sold separately

2



The Titan Flat Tray can be mounted to narrow crossbars with the use of a side support kit. Use the table below to determine if you need a side support kit

Refer to step 10 & 11 for installation

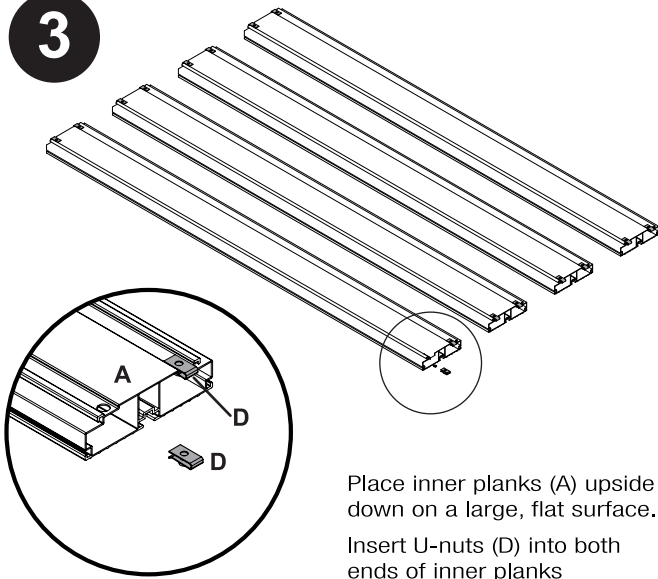
Part number 25-0311 sold separately

		TFT1212, TFT1512, TFT1812	TFT2014
Cross bar length	Greater than 1040mm	Standard Fitment	NO
	Less than 1040mm	Narrow Fitment	YES
	Greater than 1275mm	Standard Fitment	NA
	Less than 1275mm	Narrow Fitment	YES

STAGE 2

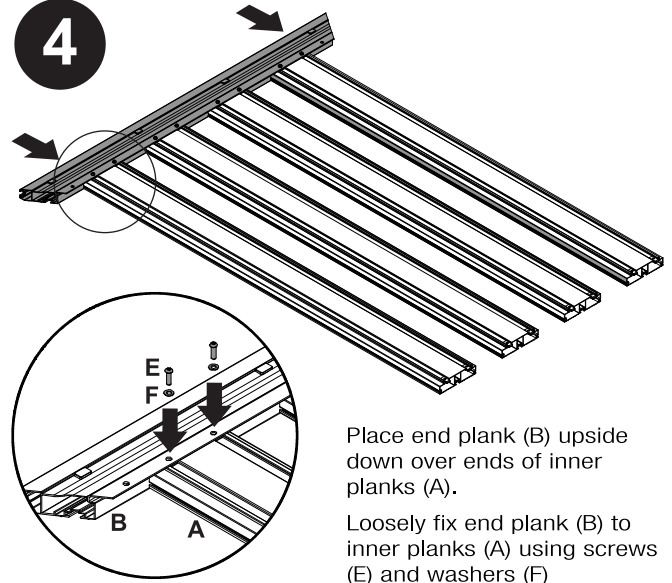
BUILD YOUR FLAT TRAY

3



Place inner planks (A) upside down on a large, flat surface.
Insert U-nuts (D) into both ends of inner planks

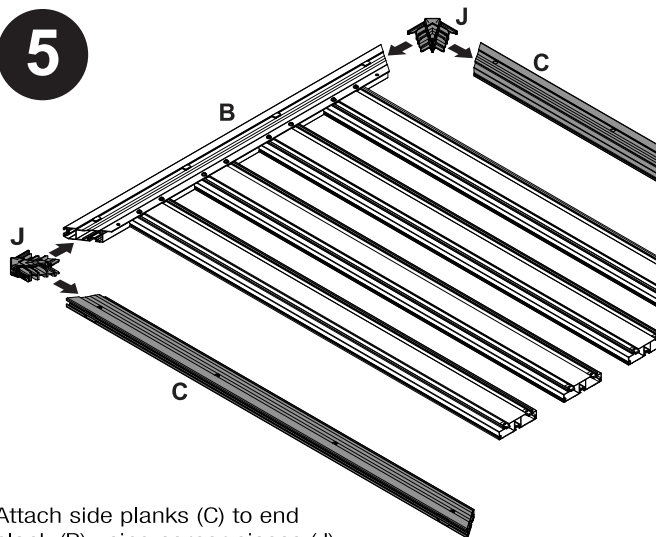
4



Place end plank (B) upside down over ends of inner planks (A).

Loosely fix end plank (B) to inner planks (A) using screws (E) and washers (F)

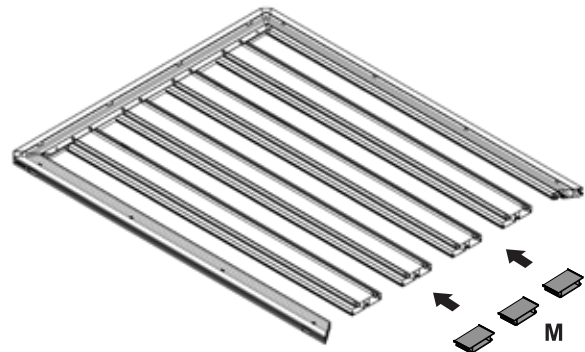
5



Attach side planks (C) to end plank (B) using corner pieces (J)

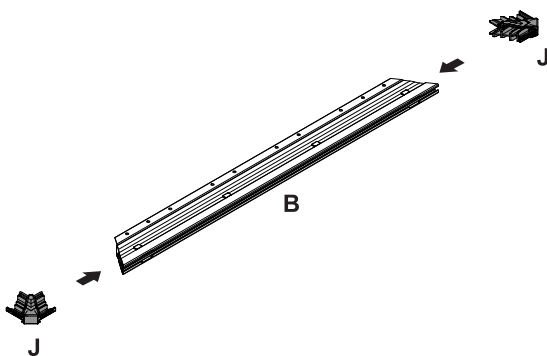
6

i Are you using a low mount fitment?
If no, skip this step.



Insert the interconnecting blocks (M) between the inner planks as pictured.

7



Attach remaining end plank (B) to remaining corner pieces (J) and set aside to step 9/11

i

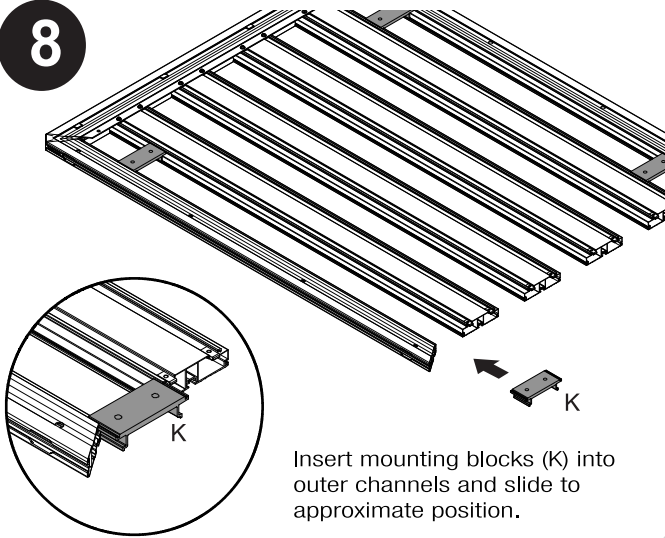
Follow the steps for either standard mount (steps 8 and 9) or narrow crossbar mount (steps 10 and 11) based on the measurements you made in step 2.

STAGE 2

BUILD YOUR FLAT TRAY

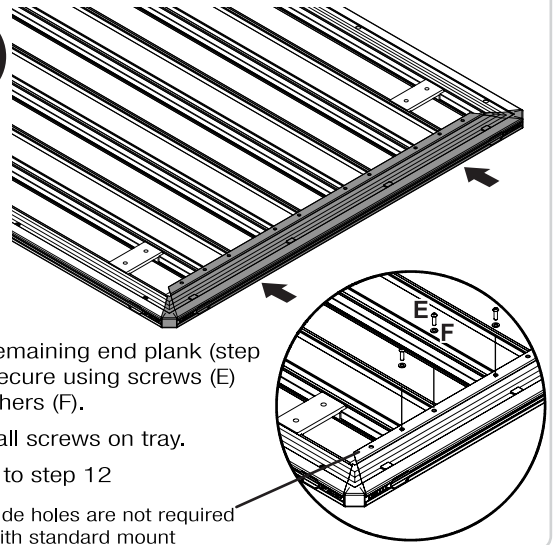
STANDARD MOUNT - steps 8 and 9

8



Insert mounting blocks (K) into outer channels and slide to approximate position.

9



Attach remaining end plank (step 7) and secure using screws (E) and washers (F).

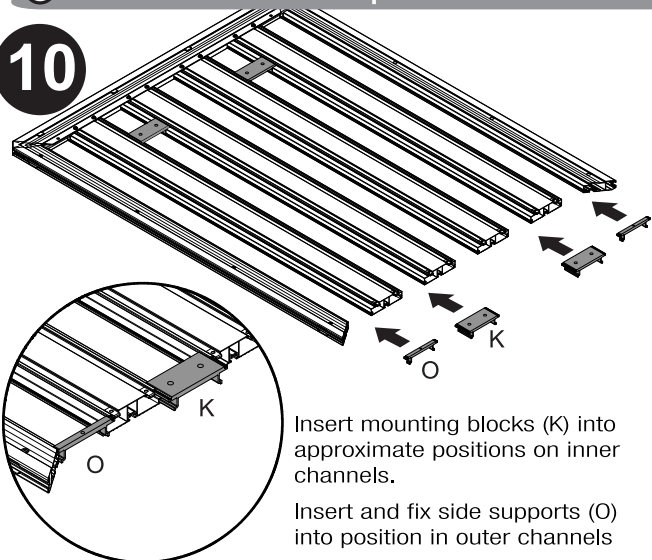
Tighten all screws on tray.

Proceed to step 12

Side holes are not required with standard mount

NARROW MOUNT - steps 10 and 11

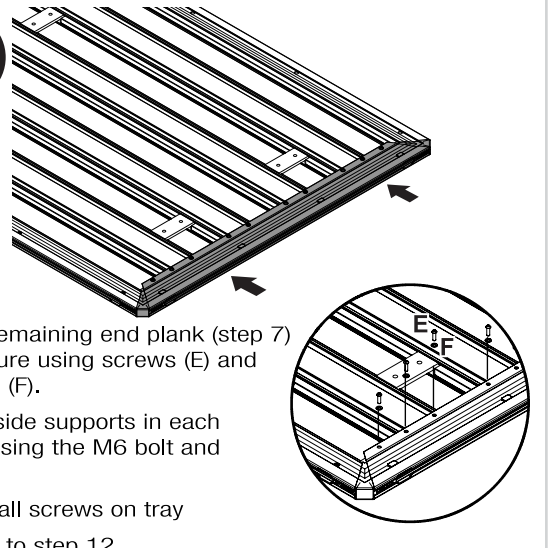
10



Insert mounting blocks (K) into approximate positions on inner channels.

Insert and fix side supports (O) into position in outer channels

11



Attach remaining end plank (step 7) and secure using screws (E) and washers (F).

Secure side supports in each corner using the M6 bolt and washer

Tighten all screws on tray

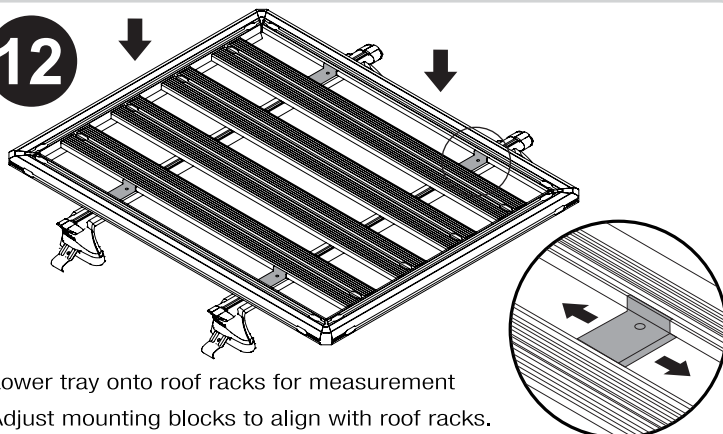
Proceed to step 12

STAGE 3

FIT YOUR FLAT TRAY

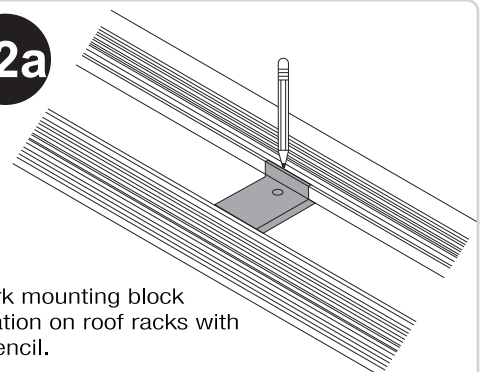
For Low Mount fitment, refer to Low Mount fitting instructions

12



Lower tray onto roof racks for measurement
Adjust mounting blocks to align with roof racks.

12a



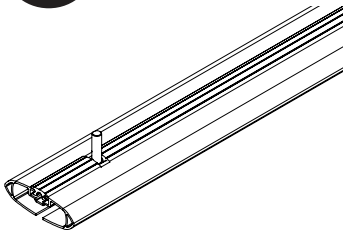
Mark mounting block location on roof racks with a pencil.

Remove tray

Note: Either mounting block hole can be used

STAGE 3 FIT YOUR FLAT TRAY

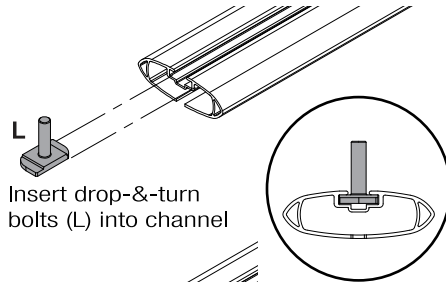
13



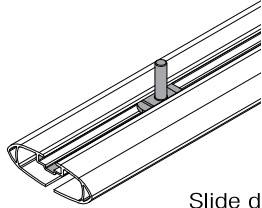
Cut a 10mm gap in the buffer strip at the pencil mark made in step 12a.

Only applicable if you have roof racks with buffer strips

Sports Channel (narrow opening)

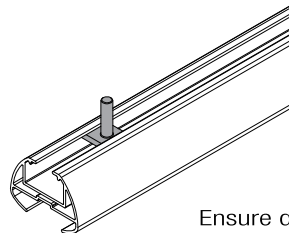
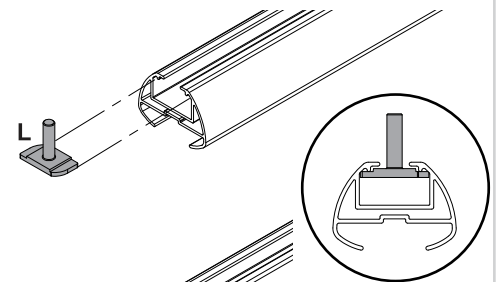


Insert drop-&-turn bolts (L) into channel



Slide drop-&-turn bolts (L) to line up with pencil marks made in step 12a.

Heavy Duty Channel (wide opening)



Ensure drop-&-turn bolt is aligned correctly to clamp the crossbar as shown.

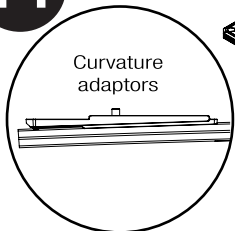
i

Are your crossbars curved?

Curved crossbars require curvature adaptors to create a flat platform to mount the tray (P/N 25-0313 - sold separately).

For flat crossbars, skip this step.

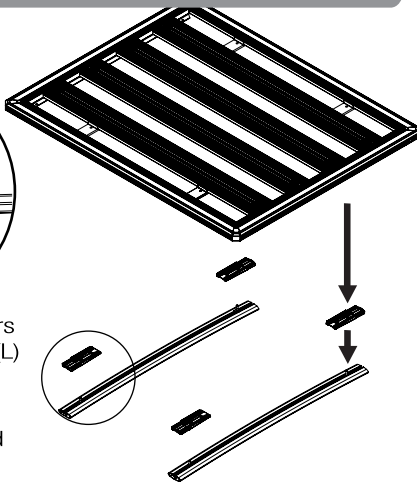
14



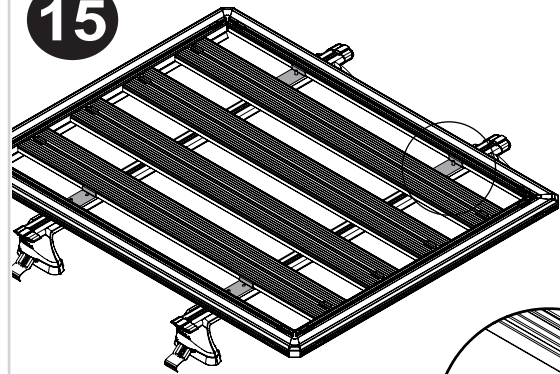
Curvature adaptors

Place curvature adaptors over drop-&-turn bolts (L) between roof racks and tray.

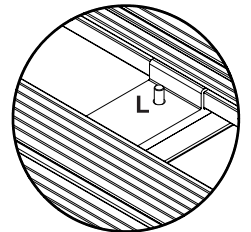
Curvature adaptors sold separately.



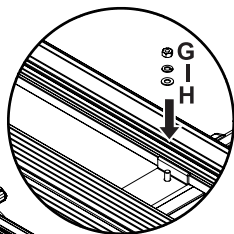
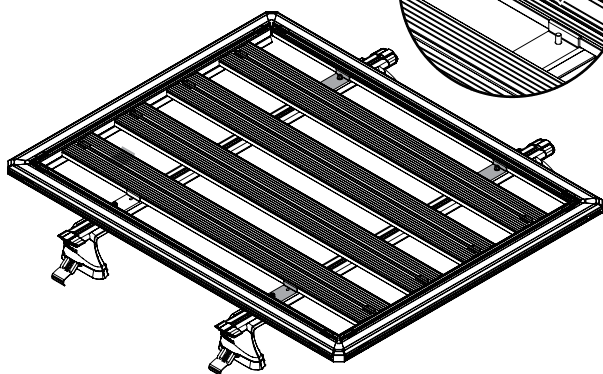
15



Place flat tray on racks, aligning holes in mounting blocks over bolt ends.



16



Attach fasteners (G,I,H) and tighten.

CARE FOR YOUR TRAY

WARNING & CARE INSTRUCTIONS

TITAN
TRAY
BY ROLA



IMPORTANT

PLEASE READ THOROUGHLY BEFORE USE.

Please ensure the Flat Tray is fitted in accordance with the fitting instructions. It is important that you observe all recommendations outlined below.

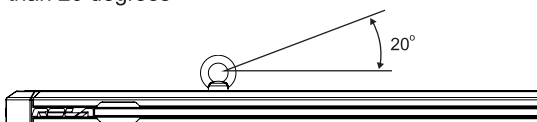
- Routinely and regularly check the proper functioning of the Titan Tray and Accessories, and tighten all screws, bolts, nuts, connections and straps. Immediately replace any worn or damaged components
- Remove Tray and Roof Racks before entering an automatic car wash
- Store fitting instructions in the glove compartment of your vehicle
- Maximum load carrying capacity for the Titan Tray is 300kg under static loading conditions
- Ensure the load is evenly distributed across planks

Actual load carrying capacity will be restricted by:

- Load carrying capacity of your vehicle (refer to owner's manual) Actual load on vehicle = Roof Rack weight + Tray weight + Cargo
- Load carrying capacity of your Roof Racks (refer product specifications) Actual load on Roof Racks = Tray weight + Cargo
- Handling characteristics of the vehicle change when traveling with a load on the roof. Exercise extreme care when transporting larger wind resisting loads. Safe braking distance and negotiating corners should be given special attention
- Safety weight reduction of 1.5 should be observed from the total carrying capacity (eg. 60kg/1.5 becomes 40kg) when used in off-road conditions
- Avoid using tie down attachments within 40mm of the entrance of the accessory channel (see figure below)



- When using straps to secure load, it is recommended that strap angle should be greater than 20 degrees (see figure below). Avoid excessive strap loading, if the angle is less than 20 degrees



ROLA TITAN TRAY

5 YEAR WARRANTY

TRAY PART NUMBERS: TFT1212, TFT1512, TFT1812, TFT2014

Rola warrants that, subject to the exclusions and limitations below, the Titan Tray will be free from defects in materials and workmanship for a period of 5 years commencing on the date of sale by the authorised Rola stockist to the original purchaser of the entire Titan Tray.

If a defect appears in the Titan Tray before the end of the warranty period and Rola finds the Titan Tray to be defective in materials or workmanship, Rola will, in its sole discretion, either:

1. Repair the Titan Tray or the defective component of the Titan Tray free of charge;
2. Replace the Titan Tray or the defective component of the Titan Tray; or
3. Refund the purchase price of the Titan Tray to the original purchaser. Rola reserves the right to change the design, specifications or composition of the Titan Tray without notice and without liability.

Rola reserves the right to replace defective products or components with products or components of similar quality, grade and composition, where an identical product or component is not available. Goods presented for repair may be replaced by refurbished goods of the same type rather than being repaired. Refurbished parts may be used to repair the goods.

The 5 year warranty does not apply where:

1. The Titan Tray is not installed in compliance with the fitting instructions provided;
2. The Titan Tray is not used as intended or designed;
3. Any part of the Titan Tray is used with other products or components not intended to be used in conjunction with the Titan Tray system;
4. The Titan Tray has been on-sold or assigned by the original purchaser;
5. The Titan Tray has been modified or repaired by someone other than Rola or an authorised Rola stockist;
6. Rola cannot establish any fault in the Titan Tray after testing;
7. The Titan Tray has been subject to abnormal conditions, including fire, water, humidity, pressure, stress or similar;
8. The defect in the Titan Tray has arisen due to abuse, misuse, neglect or accident;
9. The defect in the Titan Tray has arisen due to the unlawful or unusual operation of the vehicle to which it is fitted;
10. The defect in the Titan Tray has arisen due to the purchaser's failure to properly assemble, install, fit, maintain or use the Titan Tray in accordance with the specifications and instructions provided by Rola.

For safety and use instructions, please refer to any General or Specific Fitting Instructions and Warning & Care Instructions enclosed within the Titan Tray or on our website at www.rola.com.au.

This warranty does not extend to fair wear and tear. Warranty claims can be made by contacting Rola directly using the details below. A warranty claim must be accompanied by proof of purchase (such as receipt), details of the alleged defect and appropriate documentation (such as historical and maintenance records where appropriate). The customer must make the product available to Rola or its authorised repair agent for inspection and testing. If such inspection and testing finds no defect in the product, the customer must pay Rola usual costs of service work and testing. It is the purchaser's responsibility to arrange and pay to return the product or component to the place of purchase. The purchaser may seek reimbursement from Rola for the cost of such activities, providing Rola notifies the purchaser in writing that a warranty claim is justified. Any such claims made must be in writing via post or email. The benefits of this warranty are in addition to any rights and remedies imposed by Australian State and Federal legislation that cannot be executed. Nothing in this warranty is to be interpreted as excluding, restricting or modifying any State or Federal legislation applicable to the supply of goods and services which can not be so excluded, restricted or modified. Our goods come with guarantees that cannot be excluded under the Australian Consumer Law. You are entitled to a replacement or refund for a major failure and for compensation for any other reasonably foreseeable loss or damage. You are also entitled to have the goods repaired or replaced if the goods fail to be of acceptable quality and the failure does not amount to a major failure. Rola makes no express warranties or representations other than set out in this warranty.

The repair or replacement of Rola Titan Trays or part thereof, or a refund of the purchase price of the Rola Titan Tray, is the absolute limit of Rola liability under this express warranty.



Please refer to www.titantray.com for fitting instruction revision updates

Rola®

49 Pacific Drive, Keysborough, VIC, 3173

AUS: 1800 812 017

NZ: 0800 698 227

www.titantray.com

www.rola.com.au